

Mill Size Baler

The mill size baler is one of Sinobaler's most popular vertical down stroke balers, producing bales of various kinds of material. Suitable bale size and weight save you money, time, space, and maximize the use of transport as the waste volume can be reduced in the ratio of up to 8:1.

Sinobaler is always looking into innovation. This mill size baler has several unique operating features, making the most efficient and versatile baler in the market place today. Furthermore, the robust design and market-leading build quality ensure many years of reliable operation.

Baling Applications: cartons, film, corrugated cardboard (OCC), ONP, OMG, office wasters and other packaging material.

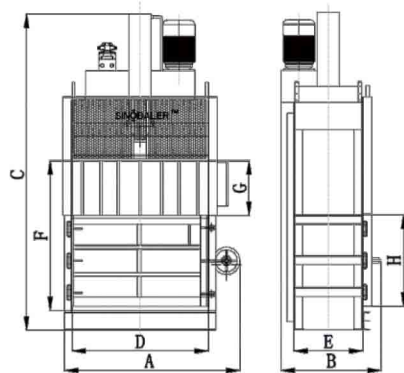
FEATURES

- **Chain Bale Ejector**
for easy and efficient bale ejecting with the lifting up of the chain
- **Sliding Door**
for convenient opening/closing and also reducing space occupation. When platen goes up, the door will be lifted up automatically, which promotes work efficiency and saves labor
- **Adjustable Bale Height**
for achieving various bale size and weight
- **Electric Controlled**
for easy operation, simply by operating on buttons and switches to fulfill platen moving and bale ejecting
- **Retainer Claws are Optional**
for holding the pressed material from springing back
- **Hydraulic Driven Chamber Door is Optional**
enables door opening/closing only with an operation on a switch/button, promoting work efficiency and saves labor



Dimensional Data

MODEL	SVBS2-300				SVBS2-500	
	Option A	Option B	Option C1	Option C2	Option A	Option B
A	1200mm / 47"	1550mm / 61"	1960mm / 77"	1960mm / 77"	1550mm / 61"	1960mm / 77"
B	980mm / 39"	1050mm / 41"	1050mm / 41"	1050mm / 41"	1050mm / 41"	1050mm / 41"
C	3060mm / 120"	3200mm / 125"	3660mm / 144"	3660mm / 144"	3200mm / 125"	3810mm / 150"
D	800mm / 31"	1100mm / 43"	1520mm / 60"	1520mm / 60"	1100mm / 43"	1520mm / 60"
E	600mm / 24"	760mm / 30"	760mm / 30"	760mm / 30"	760mm / 30"	760mm / 30"
F	1400mm / 55"	1500mm / 59"	1800mm / 71"	1800mm / 71"	1500mm / 59"	1800mm / 71"
G	500mm / 20"	600mm / 24"	680mm / 27"	680mm / 27"	600mm / 24"	680mm / 27"
H	900mm / 35"	900mm / 35"	1120mm / 44"	1120mm / 44"	900mm / 35"	1120mm / 44"



Specifications

MODEL	SVBS2-300				SVBS2-500	
	Option A	Option B	Option C1	Option C2	Option A	Option B
Feed Opening	Length	800mm (31")	1100mm (43")	1520mm (60")	1100mm (43")	1520mm (60")
	Height	500mm (20")	600mm (24")	680mm (27")	600mm (24")	680mm (27")
Compressing Chamber Size	Length	800mm (31")	1100mm (43")	1520mm (60")	1100mm (43")	1520mm (60")
	Width	600mm (24")	760mm (30")	760mm (30")	760mm (30")	760mm (30")
Bale Size	Height	1400mm (55")	1500mm (59")	1800mm (71")	1500mm (59")	1800mm (71")
	Length	800mm (31")	1100mm (43")	1520mm (60")	1100mm (43")	1520mm (60")
Bale Weight (for OCC)	Width	600mm (24")	760mm (30")	760mm (30")	760mm (30")	760mm (30")
	Height	400-900mm (16-35")	500-900mm (20-35")	600-1120mm (24-44")	500-900mm (20-35")	450-1120mm (18-44")
Hydraulic Working Pressure (max.)		60-150kg 132-330lbs	100-200kg 220-440lbs	200-350kgs 440-770lbs	230-400kgs 506-880lbs	150-280kgs 330-616lbs
		14Mpa (2030psi)	14Mpa (2030psi)	14Mpa (2030psi)	18Mpa (2610psi) HD plunger pump	18Mpa (2610psi)
Main Cylinder	Bore	140mm (5.5")	140mm (5.5")	150mm (5.9")	160mm (6.3")	160mm (6.3")
	Piston Rod	100mm (3.9")	100mm (3.9")	110mm (4.3")	120mm (4.7")	120mm (4.7")
	Stroke	1000mm (39")	1000mm (39")	1200mm (47")	1000mm (39")	1350mm (53")
Oil Reservoir		100L (26gal)	100L (26gal)	100L (26gal)	140L (36.4gal)	140L (36.4gal)
Platen Pressure (kgf/cm ²)		4.5	2.6	2.1	2.8	4.3
Motor Power		5.5kw (7.5HP)	5.5kw (7.5HP)	7.5kw (10HP)	7.5kw (10HP)	11kw (15HP)
Number of Tying		4-6	4-7	5-7	4-6	5-7
Cycle Time (unloaded)		38 seconds	38 seconds	44 seconds	53 seconds	42 seconds
Machine Weight (approx.)		1500kg (3,300lbs)	1800kg (3,960lbs)	2500kg (5,500lbs)	2400kg (5,280lbs)	2700kg (5,940lbs)

Overall specifications are subject to change without notice. SBM sales representative for your inquiry will give you the exact specifications for your quoted machine.
 *Bale size hereby referred to does not consider bale expanding
 ** Output rates are subject to your material's input density, feed speed, and other variables of production outside the control of Sinobaler.

