

# Tyre Baler

Tyre baler from Sinobaler is a heavy-duty vertical baling machine used for compacting material with high rebound force into dense bales (What do we mean by "high rebound" material? Exactly what you think we mean – tyres. In short, baling tyres requires a baling machine that is strong enough to offset the rebound properties of the rubber that makes up these items). These tyre bales are then converted into a comparatively new construction material used for oil refining, road foundations, lightweight embankment filler, drainage layers, landscaping initiatives and other civil engineering applications.

Tyre baler is a must-have piece of recycling equipment for scrap tyre dealers and tyre-recycling facilities – this is because this vertical baler saves storage & transportation space and increases your revenue, and also because it increases the efficiency of your recycled loads. With our equipment (let's take model SVB2-TB-1000 Standard as an example), it takes 9 strokes to produce one bale containing approx. 120-140 car tyres in a 12:1 compressing ratio and weighing up to 1200kgs(2640lbs).That's efficient.

To meet the demand of some clients who are looking for longer lifespan and higher operation efficiency, we have optimized models for your options, which are with upgraded hydraulic system and machine structure.

**Baling Applications:** car tyres, light truck tyres, heavy truck tyres, bicycle tyres, and motorcycle tyres .

## FEATURES

- **Chain Bale Ejector**  
for easy and efficient bale ejecting with the lifting up of the chain
- **Two Split Platens with Movable Link**  
protects the platens from being distorted under the situation of uneven material loading
- **Retractable Retainer Claws**  
prevents the compacted tyres from springing back
- **Hydraulic-driven Chamber Doors**  
ensures operational safety and easy opening & closing
- **Front & Back Chamber Doors Structure**  
for convenient strapping and bale ejecting

### More features for optimized models:

- **Industry Leading Cycle Time 39 seconds instead of standard 49 seconds**  
for superior productivity
- **Double Oil Filtration System at Oil Inlet and Outlet**  
for dual protection and trouble-free oil flow, prolonging the lifespan of the hydraulic system
- **Sustained air-cooling for a High-Fidelity Hydraulics**  
with oil viscosity maintained at optimal levels, this energy efficient air-cooling system protects the hydraulic system from premature fatiguing. Less wear on the seals and rings means tighter bales and less maintenance cost



## Specifications

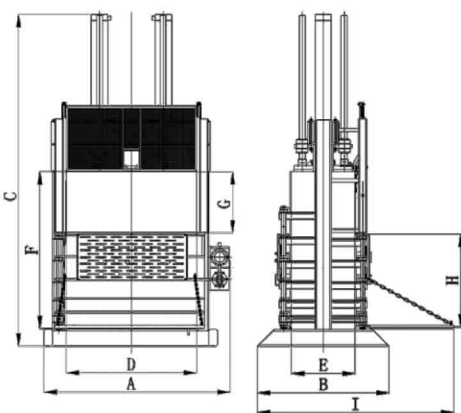
MODEL	SVB2-TB-1000		SVB2-TB-1500		
	Standard	Optimized	Standard	Optimized	
Feed Opening	Length	1550mm (61")	1550mm (61")	1800mm (71")	1800mm (71")
	Height	700mm (28")	700mm (28")	700mm (28")	700mm (28")
Compressing Chamber Size	Length	1550mm (61")	1550mm (61")	1800mm (71")	1800mm (71")
	Width	760mm (30")	760mm (30")	1100mm (43")	1100mm (43")
	Height	1850mm (72")	1850mm (72")	2100mm (83")	2100mm (83")
Bale Size	Length	1550mm (61")	1550mm (61")	1800mm (71")	1800mm (71")
	Width	760mm (30")	760mm (30")	1100mm (43")	1100mm (43")
	Height	600-1150mm (24-45")	600-1150mm (24-51")	700-1400mm (28-55")	700-1400mm (28-55")
Bale Weight (for tyre)		800-1200kg	800-1200kg	1200-1700kg	1200-1700kg
		1760-2640lbs	1760-2640lbs	2640-3740lbs	2640-3740lbs
Hydraulic Working Pressure (max.)		18Mpa (2610psi)	18Mpa (2610psi)	18Mpa (2610psi)	18Mpa (2610psi)
Main Cylinder	Bore	160mm (6.3")	160mm (6.3")	180mm (7.1")	180mm (7.1")
	Piston Rod	110mm (4.3")	110mm (4.3")	125mm (4.9")	125mm (4.9")
	Stroke	1250mm (49")	1250mm (49")	1400mm (55")	1400mm (55")
		X 2rams	X 2rams	X 2rams	X 2rams
Oil Reservoir		500L (130gal)	500L (130gal)	600L (156gal)	600L (156gal)
Platen Pressure ( kgf/cm <sup>2</sup> )		6.1	6.1	4.6	4.6
Motor Power		15kw (20HP)	18.5kw (25HP)	22kw (30HP)	30kw (40HP)
Number of Tying		5	5	9	9
Cycle Time (unloaded)		49 seconds	39 seconds	55 seconds	30 seconds
Machine Weight (approx.)		5000kg (11,000lbs)	5200kg (11,400lbs)	7500kg (16,500lbs)	7700kg (16,940lbs)

Overall specifications are subject to change without notice. SBM sales representative for your inquiry will give you the exact specifications for your quoted machine.

\*Bale size hereby referred to does not consider bale expanding

\*\* Throughput rates are subject to your material's input density, feed speed, and other variables of production outside the control of Sinobaler.

## Dimensional Data



MODEL	SVB2-TB-1000		SVB2-TB-1500	
	Standard	Optimized	Standard	Optimized
A	2210mm / 87"	2210mm / 87"	2670mm / 105"	2670mm / 105"
B	1560mm / 61"	1560mm / 61"	1800mm / 71"	1800mm / 71"
C	3950mm / 156"	3950mm / 156"	4850mm / 191"	4850mm / 191"
D	1550mm / 61"	1550mm / 61"	1800mm / 71"	1800mm / 71"
E	760mm / 30"	760mm / 30"	1100mm / 43"	1100mm / 43"
F	1850mm / 73"	1850mm / 73"	2100mm / 83"	2100mm / 83"
G	700mm / 28"	700mm / 28"	700mm / 28"	700mm / 28"
H	1150mm / 45"	1150mm / 45"	1400mm / 55"	1400mm / 55"
I	2360mm / 93"	2360mm / 93"	2970mm / 117"	2970mm / 117"

