

# Tyre Baler

Tyre baler from Sinobaler is a heavy-duty vertical baling machine used for compacting material with high rebound force into dense bales (What do we mean by "high rebound" material? Exactly what you think we mean – tyres. In short, baling tyres requires a baling machine that is strong enough to offset the rebound properties of the rubber that makes up these items). These tyre bales are then converted into a comparatively new construction material used for oil refining, road foundations, lightweight embankment filler, drainage layers, landscaping initiatives and other civil engineering applications.

Tyre baler is a must-have piece of recycling equipment for tyre dealers and tire-recycling facilities – this is because this vertical baler saves storage space and increases your revenue, and also because it increases the efficiency and size of your recycled loads. With our equipment (let's take model SVB2-TB-1000 Standard as an example), it takes 9 strokes to produce one bale containing approx. 120-140 car tyres in a 12:1 compressing ratio and weighing up to 1200kgs(2640lbs). That's efficient.

To meet the demand of some clients who are looking for longer lifespan and higher operation efficiency, we have optimized models for your options, which are with upgraded hydraulic system and machine structure.

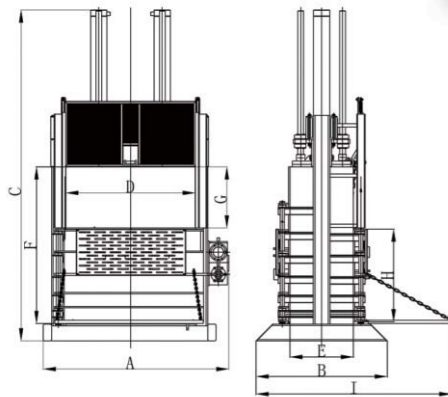
Baling Application: car tyres, bicycle tyres, motorcycle tyres, light truck tyres, and heavy truck tyres.

## FEATURES

- Chain Bale Ejector for easy and efficient bale ejecting with the lifting up of the chain
  - Two Split Platens with Movable Link protects the platens from being distorted under the situation of uneven material loading
  - Retractable Retainer Claws prevents the compacted tyres from springing back
  - Hydraulic-driven Chamber Doors ensures operational safety and easy opening & closing
  - Front & Back Chamber Doors for convenient strapping and bale ejecting
- More features for optimized models:
- Industry Leading Cycle Times 35 seconds for superior productivity
  - Dual Inlet and Outlet Oil Filtration for double protection and trouble free oil flow, prolonging the life span of the machine
  - Sustained air-cooling for a High-Fidelity Hydraulics with oil viscosity maintained at optimal levels, this energy efficient air-cooling system protects the hydraulic system from premature fatiguing. Less wear on the seals and rings means tighter bales



## Dimensional Data



MODEL	SVB2-TB-1000 standard	SVB2-TB-1000 optimized	SVB2-TB-1500 standard	SVB2-TB-1500 optimized
A	2250mm / 89"	2250mm / 89"	2500mm / 98"	2500mm / 98"
B	1580mm / 62"	1580mm / 62"	1800mm / 71"	1850mm / 73"
C	3950mm / 156"	3950mm / 156"	4200mm / 165"	4200mm / 165"
D	1550mm / 61"	1550mm / 61"	1800mm / 71"	1800mm / 71"
E	760mm / 30"	760mm / 30"	1100mm / 43"	1100mm / 43"
F	1800mm / 71"	1850mm / 73"	2100mm / 83"	2100mm / 83"
G	700mm / 28"	700mm / 28"	700mm / 28"	700mm / 28"
H	1100mm / 43"	1100mm / 43"	1400mm / 55"	1400mm / 55"

## Specifications

MODEL		SVB2-TB-1000 standard	SVB2-TB-1000 optimized	SVB2-TB-1500 standard	SVB2-TB-1500 optimized
Compressing Force (max.)		100ton (220,000lbs)	100ton (220,000lbs)	150ton (330,000lbs)	150ton (330,000lbs)
Feed Opening	Length	1550mm (61")	1550mm (61")	1800mm (71")	1800mm (71")
	Height	700mm (28")	700mm (28")	700mm (28")	700mm (28")
Compressing Chamber Size	Length	1550mm (61")	1500mm (61")	1800mm (71")	1800mm (71")
	Width	760mm (30")	760mm (30")	1100mm (43")	1100mm (43")
Bale Size**	Height	1850mm (72")	1850mm (72")	2100mm (83")	2100mm (83")
	Length	1550mm (61")	1550mm (61")	1800mm (71")	1800mm (71")
Bale Weight (for tyre)**	Width	760mm (30")	760mm (30")	1100mm (43")	1100mm (43")
	Height	1000-1300mm (39-51")	1000-1300mm (39-51")	1000-1400mm (39-55")	1000-1400mm (39-55")
Hydraulic Pressure (max.)		800-1200kg 1760-2640lbs	800-1200kg 1760-2640lbs	1200-1700kg 2640-3740lbs	1200-1700kg 2640-3740lbs
		20Mpa (2900psi)	20Mpa (2900psi)	20Mpa (2900psi)	20Mpa (2900psi)
Main Cylinder	Bore	160mm (6.3")	160mm (6.3")	180mm (7.1")	180mm (7.1")
	Piston	110mm (4.3")	110mm (4.3")	125mm (4.9")	125mm (4.9")
	Stroke	1250mm (49")	1250mm (49")	1400mm (55")	1400mm (55")
Oil Reservoir		500L (132gal)	500L (132gal)	600L (158.4gal)	600L (158.4gal)
Motor Power		15kw (20HP)	18.5kw (25HP)	22kw (30HP)	30kw (41HP)
Number of Tying		5	5	9	9
Cycle Time (unloaded)		49seconds	39seconds	55seconds	31seconds
Machine Weight (approx.)		5000kg (11,000lbs)	5500kg (12,100lbs)	7500kg (16,500lbs)	7500kg (16,500lbs)

Overall specifications are subject to change without notice. SBM sales representative for your inquiry will give you the exact specifications for your quoted machine.

\*Bale size hereby referred to does not consider bale expanding

\*\* Throughput rates are subject to your material's input density, feed speed, and other variables of production outside the control of Sinobaler.

